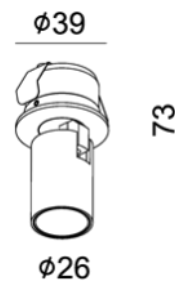


Salistor Micro Adjustable Spotlight

LMIS2761



Approximate dimensions





from  **LIGHTMASTER**
PRODUCT

The Salistor micro adjustable spotlight is ideal for residential and commercial spaces, typically used in entrance halls, landings, stairs, living rooms, dining rooms, kitchens, bathrooms or any location requiring a fitting of discreet modern style.

The fitting material is mainly aluminium making it suitable for interior use only. Its small diameter mounting plate allows versatility in positioning, which is critical to be able to create the accent, task or effect. To keep glare to a minimum, considerate positioning will highlight the subject with its warm light colour, making this a flexible discreet lighting tool.

The white matt sand textured surface finish helps this product to disappear into its surroundings. To ensure you get the best effect our lighting designers are on hand to advise.

Product & Ordering information:

Order as:	Power	Lumens	Beam Angle	C.R.I.	C.C.T.	Driver	Current	I.P. Rating	Mount
LMIS2761-WHM-025-3000-90 Micro adjustable spot. White matt 	2W	200lm	25°	90 Ra	3000°K	Not included	600mA	20	Recessed
LMIS2941-WHM-035-3000-90 Mini adjustable spot. White matt 	6W	600lm	35°	90 Ra	3000°K	Not included	600mA	20	Recessed



Show me more...

Further information, products and our design services can be found on our website at www.lightmaster-product.co.uk

Get in touch with **LIGHTMASTER:**

Lightmaster-Direct Ltd, Unit 17, Blackwell Business Park, Shipston-on-Stour, Warwickshire CV36 4PE
t: 01608 682115 f: 01608 682114 e: sales@lightmaster-direct.co.uk w: www.lightmaster-direct.co.uk



Salistor Micro Adjustable Spotlight

LMIS2761

Product Installation & Maintenance:

Safety

Power supplies should be isolated and confirmed de-energised before commencing.

Installation and repair should be performed by a suitably qualified person, with all work in accordance with applicable legislation and regulations.



Positioning

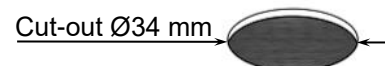
Recess into a sheet material by drilling a 34mm diameter opening through.



Tip: Ensure the bore is well cut and the right size for the best finished appearance.

If mounted on a vertical surface then no light beams are to be directed above the horizontal.

1



Let's get technical?

Full product information is in the datasheet page 1, or on our website at www.lightmaster-product.co.uk

Electrical Connection

This light fitting requires an LED 'driver' that is sold separately, and matched to the type of light fitting and the number of them in a circuit.

Lightmaster drivers are suitable for installation indoors.

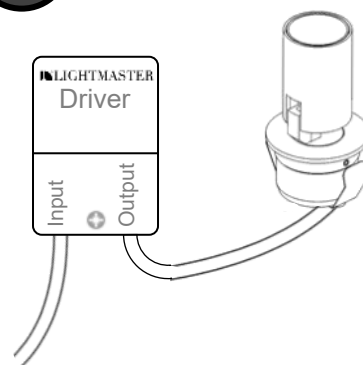
Do not connect power to the driver before the output load is connected.

Electrical connections should be appropriately protected from the ingress of moisture and dirt.

If using one fitting per driver, connect straight to the output connections, taking care to observe polarity throughout the circuit. Red wire to + (positive) and black wire to - (negative).

If using multiple fittings, connect in series up to the maximum power rating of the driver, observing the polarity throughout the circuit. An example of this is shown on the following page.

2



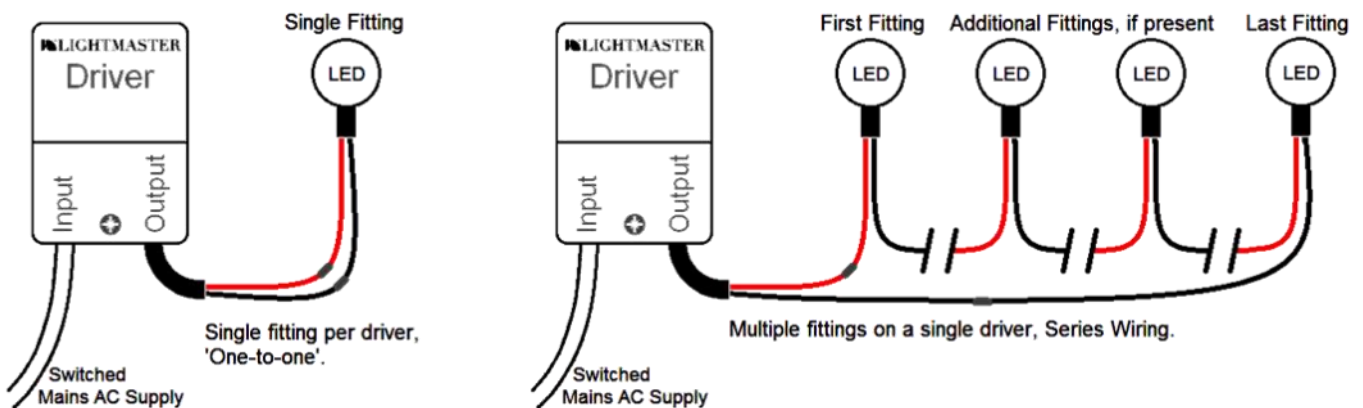
Maximum LED
Operating Current:
600mA for 2W



Salistor Micro Adjustable Spotlight LMIS2761

Product Installation & Maintenance:

Electrical connection examples:



Final Installation

Push the fitting into its mounting hole. It should fit tightly, so there is sufficient compression on the spring collar to prevent it working loose or falling out.

Recycling electrical waste

Waste electrical and electronic equipment should be recycled and not incinerated or disposed of in general waste. For more information, refer to your local council authority.



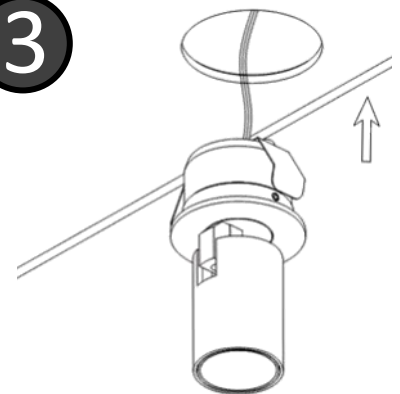
Ongoing care, Cleaning & Maintenance

Clean your Lightmaster product by hand by dusting or wiping with a lightly dampened soft cloth. Do not use abrasives, liquids or chemical cleaners.

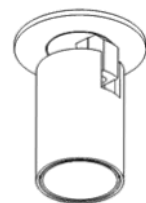
The end user should retain this manual for future reference.

Supply and warranty of products is subject to our Terms & Conditions, a copy of which is available on request.

3



4



Show me more...

Further information, products and our design services can be found on our website at www.lightmaster-product.co.uk



WANT MORE?
 **LIGHTMASTER**



For more LIGHTMASTER products, information and services, please see our website at
www.lightmaster-direct.co.uk or telephone 01608 682 115

